



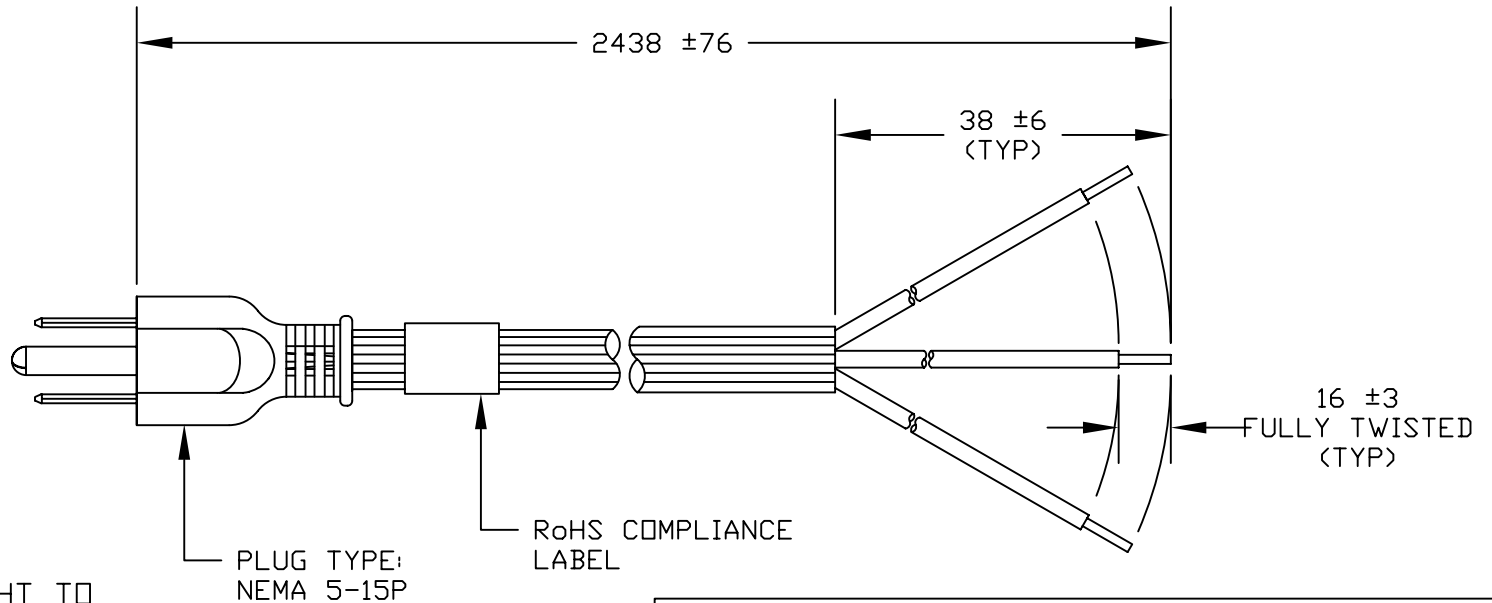
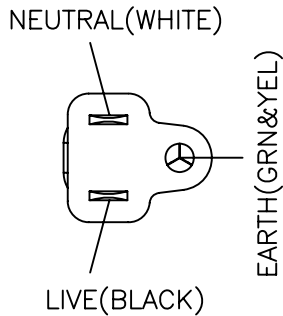
VOLEX

GROUP

Standard Cord Details: 17239 8 B1



| Specifications | |
|-----------------------------------|---|
| Certifications | |
| Part Number | 17239 8 B1 |
| Connector Type | none |
| Plug Type | 5-15P |
| Category | Plastic |
| Application | Non-Detachable |
| Plug Catalog No. | PS204 |
| Connector Catalog No. | |
| Cable | SVT AWG 18x3 |
| Jacket Color | Gray |
| Length in Feet | 8 |
| Length in Meters | 2.44 |
| Temperature Rating | 60C |
| Packaging Units Per Carton | 90 |
| Color Coding | North America |
| Nominal OD in Inches | 0.246 |
| Nominal OD in Millimeters | 6.25 |
| Notes | See 17237 for 6ft version. See 17238 for SV (rubber) version. |



VOLEX RESERVES THE RIGHT TO ALTER NON-CRITICAL DIMENSIONS WITHOUT NOTICE.

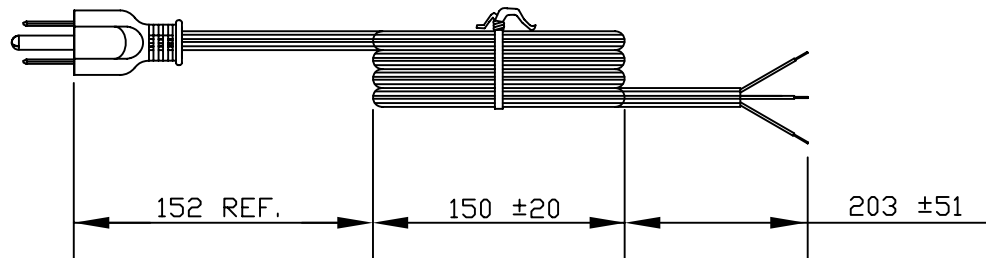
PLUG TYPE:
NEMA 5-15P

RoHS COMPLIANCE LABEL

NOTES:

- 1) CORDAGE: 18/3 SVT, 60°C, GRAY
- 2) APPROVALS:
- 3) RATING: 10 AMP/125 VOLTS
- 4) FLAME RATING : FT2
- 5) PACKAGING: 90 PIECES/CARTON
- 6) ALL DIMENSIONS IN MILLIMETERS.

PACKAGING: FOLD & TIE



| REV | DESCRIPTION | DATE |
|-----|---|----------|
| 3 | REVISED TO SHOW CHINA MANUFACTURED CORD | 11/26/07 |
| 2 | FORMAT UPDATE | 08/20/04 |
| 1 | C.U.D - NEW RELEASE | 06/11/04 |



FORM IN71-07 REV.A

- Indianapolis, IN
- Conover, N.C.
- Freemont, CA
- Aguascalientes, MX
- Tijuana, Mexico
- Hermosillo, MX
- Clinton, AR
- Kanata, Canada

Proprietary Notice:

This document is the property of Volex Incorporated. The information contained herein is not to be disclosed to anyone without the express written consent of Volex Inc.

MATERIAL:
PLUG: PVC, GRAY
JACKET: PVC, GRAY

FINISH:
JACKET: SERRATED

SCALE:
NOT TO SCALE

ECD:
N/A

ITEM DESCRIPTION
CORDSET - NORTH AMERICAN
POWER SUPPLY CORD (8')

TOLERANCE UNLESS OTHERWISE SPECIFIED
.XXX ± .005
.XX ± .02
.X ± .03
FRACT. ± 1/32
ANGULAR ± 1/2°

| | | |
|-----------------|-----------------|-------------------|
| APPROVED STC | DRAWN BY ARK | DATE: 06/11/04 |
|-----------------|-----------------|-------------------|

PART NO.
17239 8 B1